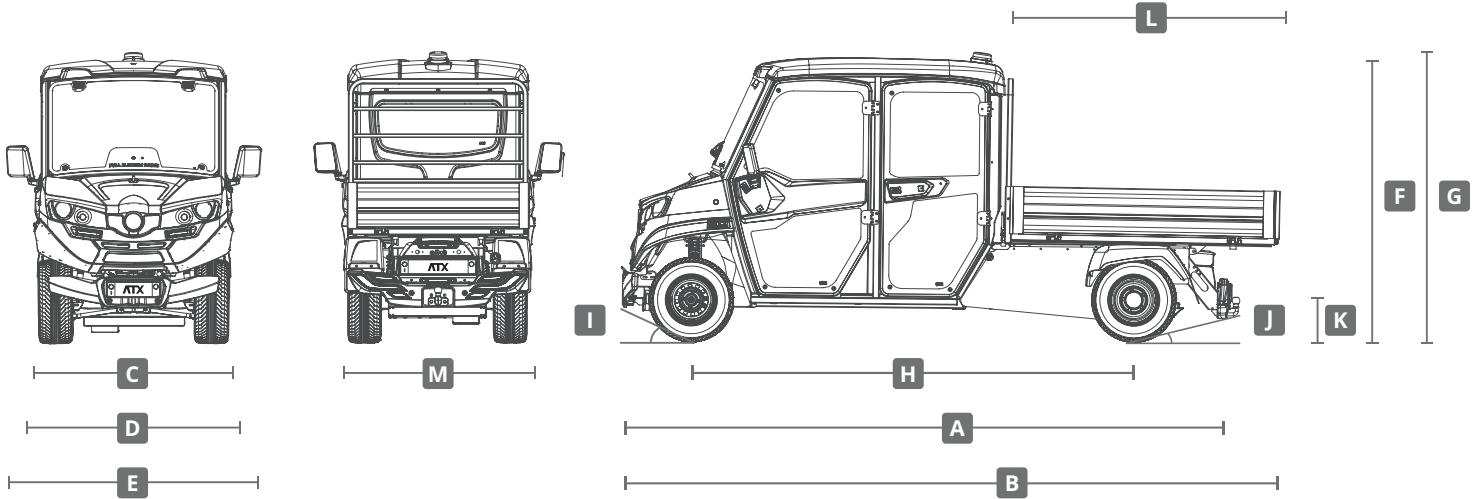




DR1

alkè
ELECTRIC VEHICLES

ATX 330ED



	330	weight [kg]
	ED	
TYPE-APPROVAL CAB SEATS		
EU on-road type-approval	N1	
seats inside the cab	4	
right-hand drive	Δ	+ 0.0
PERFORMANCE		
top speed [km/h]	44	
maximum negotiable slope (with high-performance batteries) [%]	27	
maximum autonomy (R101 test with 10.0kWh battery in SPORT mode: 74 km)		
Lead-Acid 10 kWh [km]	65	
Lead-Acid 14.4 kWh [km]	—	
Gel 8.7 kWh [km]	55	
Gel 13.2 kWh [km]	—	
Lithium (LiFePO4) 10 kWh [km]	—	
Lithium (LiFePO4) 20 kWh [km]	—	
DIMENSIONS		
A length (chassis version) [mm]	3.980	
B length (version with cargo bed) [mm]	4.290 ⁽¹⁾ 4.490 ⁽²⁾	
C vehicle cab width (without rear-view mirrors) [mm]	1.215	
D vehicle cab width (with wing mirrors closed) [mm]	1.380	
E vehicle cab width (with wing mirrors open) [mm]	1.650	
F cab height (with standard tyres) [mm]	1.890	
G vehicle height with beacon light (with standard tyres) [mm]	1.980	
H wheelbase [mm]	2.890 ⁽¹⁾ 2.990 ⁽²⁾	
I approach angle [°]	40	
J departure angle [°]	10 ⁽¹⁾ 9 ⁽²⁾	
K rear axle distance from ground [mm]	130	

	330	weight [kg]
	ED	
L maximum loading bed length [mm]	1.800 ⁽¹⁾ 2.000 ⁽²⁾	
M maximum loading bed width [mm]	1.500	
standard dropside box dimensions (length x width) [mm]	1.800 x 1.240	
WEIGHTS CAPACITY AND TOWING		
UVW unloaded vehicle weight (chassis version with battery)		
Lead-Acid 10 kWh [kg]	1.050	
Lead-Acid 14.4 kWh [kg]	—	
Gel 8.7 kWh [kg]	1.050	
Gel 13.2 kWh [kg]	—	
Lithium (LiFePO4) 10 kWh [kg]	—	
Lithium (LiFePO4) 20 kWh [kg]	—	
GVW gross vehicle weight (max weight for fully-loaded vehicle) [kg]	2.150	
GCW gross combined weight (max weight for fully-loaded vehicle + trailer) [kg]	4.100	
maximum towing capacity (on road braked trailer) [kg]	2.000	
maximum traction power [N]	5.230	
maximum towing capacity (not on road braked trailer) [kg]	3.000	
maximum chassis load capacity (= GVW - UVW)		
Lead-Acid 10 kWh [kg]	1100	
Lead-Acid 14.4 kWh [kg]	—	
Gel 8.7 kWh [kg]	1100	
Gel 13.2 kWh [kg]	—	
Lithium (LiFePO4) 10 kWh [kg]	—	
Lithium (LiFePO4) 20 kWh [kg]	—	



	330	weight
	ED	[kg]
MOTOR CONTROLLER		
48V AC asynchronous induction electric motor	•	
maximum motor power [kW]	14	
maximum motor torque [Nm]	113	
CURTIS 48V control electronics	•	
vehicle performance settings (ECO and SPORT)	•	
auxiliary cooling system for motor / controller	Δ	+ 2.0
TRANSMISSION		
transmission with electronic speed variation	•	
rear wheel drive	•	
heavy duty differential unit	•	
SUSPENSIONS		
front suspension with MacPherson type independent wheels	•	
rear suspension with De-Dion bridge and stabiliser bar	•	
BRAKES		
front hydraulic discs brakes and rear hydraulic drum brakes	•	
rear hydraulic drum brakes with mechanical servobrake	•	
parking brake	•	
regenerative brake	•	
STEERING		
rack and pinion steering	•	
electric power steering (EPS)	Δ	+ 7.0
minimum turning radius internal [mm]	4.110 ⁽¹⁾ 4.130 ⁽²⁾	
BODY CHASSIS		
white body	•	
customised body colour	Δ	+ 0.0
steel chassis with anti-corrosion treatment and powder coating finish	•	
impact-resistant polyethylene front and rear bumpers	•	
SAFETY		
3-point seat belt for driver and passenger(s)	•	
immobilizer and presence sensor on driver's seat	•	
steering lock with key	•	
horn / reverse buzzer	•	
forward gear buzzer activable from dashboard	Δ	
safety switch inside the cab for 48 V drive battery	•	
safety switch inside the cab for 12 V service battery	•	
tyre repair kit	•	
LIGHTS		
front and rear lights in road style	•	
full LED rear lights	•	
rear fog light and LED reversing light	•	
LED DRL lights	•	
orange flashing LED on cab roof	Δ	+ 2.0
blue flashing LED on cab roof	Δ	+ 2.0
CAB COMFORT		
timed heated windshield	•	
electric demister	Δ	+ 7.0
Webasto heating (as an alternative to electric demister)	Δ	+ 13.0
air-conditioning	Δ	+ 25.0
adjustable seats	•	
front doors	•	
front doors with sliding windows	Δ	+ 0.0
rear doors	•	
protective grids for front doors	Δ	+ 6.5
armrests	Δ	+ 3.5
headrests	•	

	330	weight
	ED	[kg]
rear seat bench	!	+ 22.0
cab interior lighting	•	
car audio system AM/FM with USB and Bluetooth	Δ	
car audio system AM/FM/DAB/DAB+ with USB and Bluetooth	Δ	
rear speakers for 4-seats models	Δ	
openable front windscreen	•	
central door locks with remote control	Δ	
windscreen wiper with windscreen washer	•	
DASHBOARD		
ECO / SPORT selector	•	
12V 10A socket	•	
speedometer (km / mph)	•	
hour meter	•	
indicators	•	
battery state of charge	•	
battery capacity	•	
motor temperature	•	
inverter temperature	•	
inverter errors	•	
current delivered by inverter	•	
dashboard LCD colour display	•	
warning lights	•	
indicators	•	
doors lock	•	
oil shortage	•	
lifted cargo bed	•	
heated windshield	•	
side lights	•	
low beam headlights	•	
headlights	•	
rear fog light	•	
electric demister	•	
EPS	•	
Webasto fuel shortage	•	
beacon light	•	
battery on charge status	•	
electric motor overheating	•	
forward gear	•	
backward gear	•	
neutral gear	•	
emergency lights	•	
aux 1	•	
aux 2	•	
BATTERY		
type	•	
Lead-Acid 10 kWh	•	
Lead-Acid 14.4 kWh	—	
Gel 8.7 kWh	Δ	
Gel 13.2 kWh	—	
Lithium (LiFePO4) 10 kWh	—	
Lithium (LiFePO4) 20 kWh	—	
number of batteries	•	
Lead-Acid 10 kWh	8x6V	
Lead-Acid 14.4 kWh	—	
Gel 8.7 kWh	8x6V	
Gel 13.2 kWh	—	
Lithium (LiFePO4) 10 kWh	—	
Lithium (LiFePO4) 20 kWh	—	



		330	weight			330	weight
		ED	[kg]			ED	[kg]
estimated battery life	Lead-Acid 10 kWh [cycles]	1.200		flatbed for special configurations	130 x 123 cm	—	+ 80.0
	Lead-Acid 14.4 kWh [cycles]	—			180 x 123 cm	Δ ⁽¹⁾	+ 90.0
	Gel 8.7 kWh [cycles]	700			200 x 140 cm	Δ ⁽²⁾	+ 120.0
	Gel 13.2 kWh [cycles]	—		mesh sides extension H55 cm with rear drop side with upwards opening	for body 130 x 123 cm	—	+ 25.0
	Lithium (LiFePO4) 10 kWh [cycles]	—			for body 180 x 123 cm	Δ ⁽¹⁾	+ 29.0
	Lithium (LiFePO4) 20 kWh [cycles]	—			for body 200 x 140 cm	Δ ⁽²⁾	+ 30.0
estimated battery charge time	Lead-Acid 10 kWh [hours]	8		COMBI mesh sides extension H55 cm 150 x 123 cm with rear drop side		Δ ⁽²⁾	+ 30.0
	Lead-Acid 14.4 kWh [hours]	—		electro-hydraulic tipping for dropside body unit	for body 130 x 123 cm	—	+ 14.0
	Gel 8.7 kWh [hours]	11			for body 150 x 123 cm	Δ ⁽²⁾	
	Gel 13.2 kWh [hours]	—			for body 180 x 123 cm	Δ ⁽¹⁾	+ 15.0
	Lithium (LiFePO4) 10 kWh [hours]	—			for body 200 x 140 cm	Δ ⁽²⁾	+ 15.0
	Lithium (LiFePO4) 20 kWh [hours]	—		dropside body 180 x 123 cm with three side hydraulic tipping		Δ ⁽¹⁾	+ 190.0
	Lithium (LiFePO4) 10 kWh with quick charge [hours]	—		tarpaulin body H108 cm openable on three sides for dropside body	for body 130 x 123 cm	—	+ 25.0
	Lithium (LiFePO4) 20 kWh [hours]	—		tarpaulin body H108 cm openable on three sides for dropside body	for body 180 x 123 cm	Δ ⁽¹⁾	+ 30.0
	Lithium (LiFePO4) 10 kWh with quick charge [hours]	—		tarpaulin body H115 cm openable on three sides for dropside body	for body 200 x 140 cm	Δ ⁽²⁾	+ 35.0
	Lithium (LiFePO4) 20 kWh [hours]	—		custom colour for tarpaulin body		Δ	+ 0.0
	Lithium (LiFePO4) 10 kWh with quick charge [hours]	—		tarpaulin body H110 cm for COMBI 150 x 123 cm dropside body		Δ ⁽²⁾	35.0
	Lithium (LiFePO4) 20 kWh with quick charge [hours]	—		removable rear seats kit with two independent seats, platform and 2-points seat belts		! ⁽¹⁾	+ 45.0
consumption for complete recharge	Lead-Acid 10 kWh [kWh]	9		tarpaulin roof H105 for rear seats kit		Δ ⁽¹⁾	+ 30.0
	Lead-Acid 14.4 kWh [kWh]	—		ambulance body equipped with spine board and box/seat for medical staff		! ⁽¹⁾	+ 75.0
	Gel 8.7 kWh [kWh]	7.5		roof for ambulance body		Δ ⁽¹⁾	+ 20.0
	Gel 13.2 kWh [kWh]	—		box van body H122 cm 180 x 125 cm with sliding doors (2 per side)		Δ ⁽¹⁾	+ 130.0
	Lithium (LiFePO4) 10 kWh [kWh]	—		box van body H122 cm 200 x 140 cm with sliding doors (2 per side)		Δ ⁽²⁾	+ 170.0
	Lithium (LiFePO4) 20 kWh [kWh]	—		box van body with side roller shutters H132 cm 180 x 125 cm		Δ ⁽¹⁾	+ 150.0
12 V services auxiliary battery		.		box van body with side roller shutters H132 cm 200 x 140 cm		Δ ⁽²⁾	+ 180.0
		.		set 2 shelves for box van body with sliding doors (each shelf covers half of the depth)	180 x 125 cm	Δ ⁽¹⁾	+ 8.0
battery charge on vehicle (PFC active)	(power supply 230V 16A 50-60Hz)	.			200 x 140 cm	Δ ⁽²⁾	+ 12.0
		.		dropside body 150 x 123 cm COMBI		Δ ⁽²⁾	
external quick battery charge (Lithium only)	(power supply 380V 16A 50-60Hz)	—	(ext.) +15.0	COMBI storage box 45 x 125 cm H110 cm		Δ ⁽²⁾	
		—		COMBI waste collection body (1.7 m3 version)		Δ ⁽²⁾	
battery swap system	Lead-Acid 14.4 kWh	—		watering unit with 600 L tank		Δ	+ 140.0
	Gel 13.2 kWh	—		COMBI high pressure cleaner with 210 L tank and 20 m hose		Δ	
battery top-up	Lead-Acid 10 kWh	Δ	+ 0.0	tail lift and dropside body 200 x 140 cm H30 cm with mesh sides extension H55 cm		—	+ 370.0
	Lead-Acid 14.4 kWh	Δ	+ 0.0	tail lift and box van body 200 x 140 cm		—	+ 390.0
CONFIGURATIONS AND CARGO AREA ACCESSORIES				isothermal body H122 cm	180 x 125 cm	Δ ⁽¹⁾	+ 120.0
	dropside body with manual tipping (aluminium drop sides H30 cm)	130 x 123 cm	—	isothermal body H132 cm	200 x 140 cm	Δ ⁽²⁾	+ 140.0
				refrigerated body 0 +4 °C with side and rear door	180 x 124 cm	Δ ⁽¹⁾	+ 220.0
					200 x 140 cm	Δ ⁽²⁾	+ 250.0
				waste collection body		Δ ⁽¹⁾	+ 200.0
				waste collection body with bin lift system		Δ ⁽¹⁾	+ 280.0
				tarp system for waste collection body		Δ ⁽¹⁾	+ 15.0
				broom and dustpan holder kit		Δ	+ 8.0
				semi-trailer coupling system fitting DIN Ø40 drawbar eyes		Δ	+ 60.0
				reverse inching device for easy trailers coupling		Δ	+ 4.0
				semi-trailer coupling system with fifth wheel fitting 2" kingpins		Δ	+ 100.0

